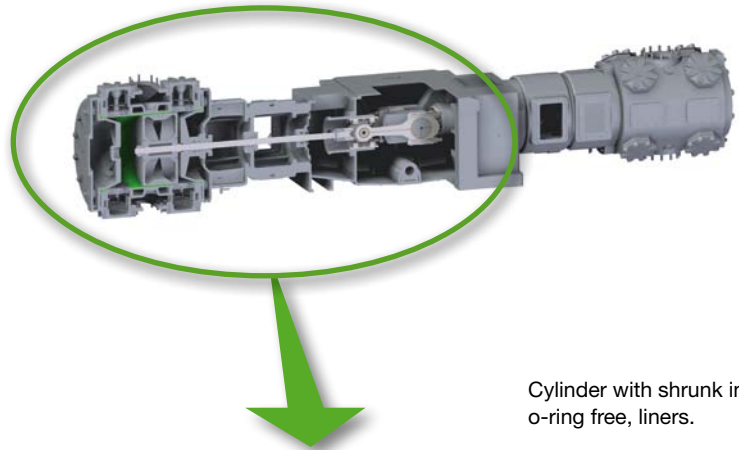
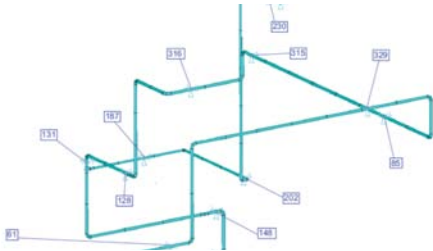


STATE OF ART COMPONENTS



PULSATION ANALYSIS

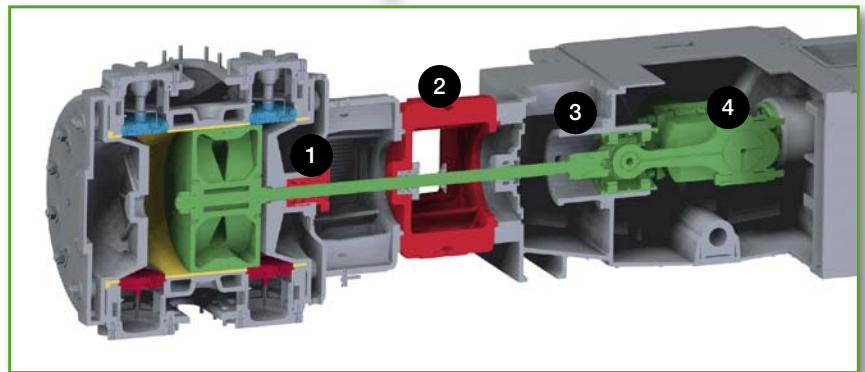
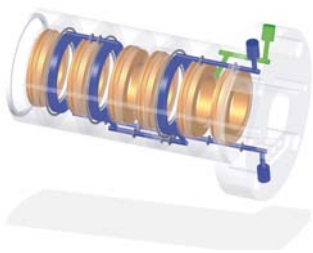
API 618 approaches 1 to 3.



Cylinder with shrunk in, o-ring free, liners.

1 PACKINGS

Water cooled type without o-rings around the rod.



2 DISTANCE PIECE

API 618 types A, B or C.



3 CROSSHEAD

Cast steel with removable shoes and hydraulic tightning.



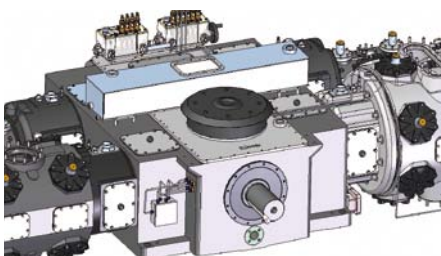
4 FORGED CONROD

With friction bearings and hydraulic tightnen nuts.



CRANKCASE VALVES

Pressure relief valves for explosion protection with flame arrester.



FORGED CRANKSHAFT

On all series, from one to six cylinders.



INSTRUMENTATION

For predictive maintenance: rod drop, P-V diagrams, temperatures, vibrations, etc.

